

Hermetic Line

Technical datasheet

Industrial
Ref. DLN5L



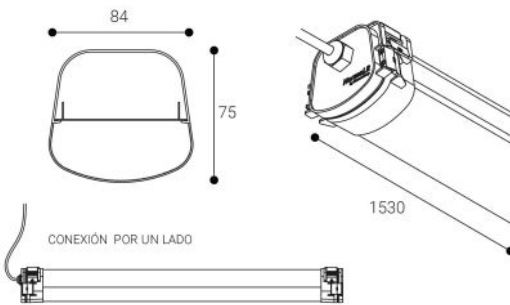
Surface
Mounting



Industrial: Hermetic Line. Watertight luminaire (IP66) made of gray with opal polycarbonate diffuser. UV resistant, corrosion and water. Diffuser: Frosted polycarbonate. Color: Grey.

Gross lumen output	4200 lm
Net lumen output	3294 lm
Color temperatures (K)	4000
CRI	80
Hours Life L80B10 *	61.000h L80B10
Hours Life L70B10 **	72.000h L70B10
Macadam ellipses	3
Beam angle	110
Photobiological security	0
Power consumption (W)	36,85
Power (W)	33,5
Voltage	220-240V 50/60Hz
Power factor	0,9
Class	I
IP	66
IK	09
Weight (Kg)	3,1
Operating temperature (°C)	-20 to 35
Energy efficiency	D

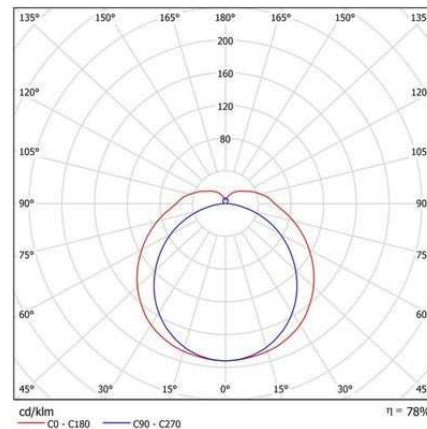
Dimensions (mm):



Photometric data:

Separación [m]	Diámetro cónico [m]	E(0°)	E(C90)	E(CD)	Intensidad luminica [lx]
0.5	1.39 2.84	3230	323	59	
1.0	2.77 5.68	807	81	15	
1.5	4.16 8.52	359	36	7	
2.0	5.55 11.36	202	20	4	
2.5	6.93 14.20	129	13	2	
3.0	8.32 17.04	90	9	2	

— C0 - C180 (Semiángulo de dispersión: 141.2°)
 — C90 - C270 (Semiángulo de dispersión: 108.4°)



* The manufacturer reserves the right to make changes in the design and / or technical specifications.

* Guarantee expendable to 5 years depending of the project. Consult conditions.

* Variable UGR according to project
* Photobiological safety = 0/1: Risk free

* L80B10 indicates that, after 61.000 hours of functioning, 90% of the luminaires will have a lumen output of at least 80% of the initial value. In other words, only 10% of the luminaires will perform under the 80% of the initial value.

** L70B10 indicates that, after 72.000 hours of functioning, 90% of the luminaires will have a lumen output of at least 70% of the initial value. In other words, only 10% of the luminaires will perform under the 70% of the initial value.