

Cyre

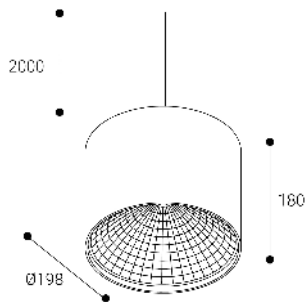
Surface Downlights
Ref. CYL33DB



Suspended



Dimensions (mm):



Photometric data:

Separación [m]	Diámetro cónico [m]	E(D°)	E(CD)	E(D°)	E(CD)	Intensidad luminica [lx]
0.5	1.18	4611	49.7°	628		
1.0	2.36	1153	49.7°	157		
1.5	3.54	512	49.7°	70		
2.0	4.72	288	49.7°	39		
2.5	5.90	184	49.7°	25		
3.0	7.07	128	49.7°	17		

Separación [m] Diámetro cónico [m] Intensidad luminica [lx]
 — C0 - C180 (Semiángulo de dispersión: 99.4°)

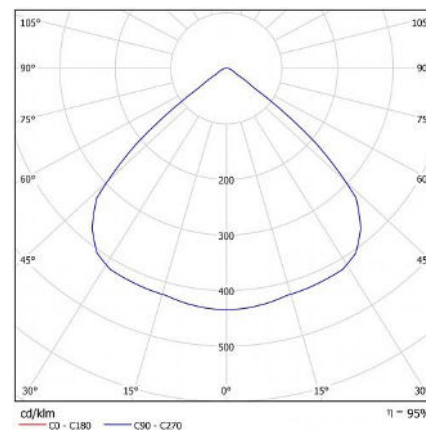
* The manufacturer reserves the right to make changes in the design and / or technical specifications.
 * Guarantee expendable to 5 years depending of the project. Consult conditions.



Surface Downlights: Cyre. Manufactured with extruded aluminium profiles. Lacquered with polyester high performance through electrostatic application and subsequent curing. UV and corrosion resistant. Diffuser: Without diffuser. Color: White.

Gross lumen output	2650 lm
Net lumen output	2528 lm
Color temperatures (K)	3000
CRI	80
Hours Life L80B10 *	60.000h
Hours Life L70B10 **	60.000h
Macadam ellipses	3
Beam angle	99
Photobiological security	1
Power consumption (W)	19,14
Power (W)	17,4
Voltage	220-240V 50/60Hz
Power factor	0,95
Class	I
UGR	19
IP	20
IK	-
Weight (Kg)	2,9
Operating temperature (°C)	-20 to 40
Energy efficiency	C

* Variable UGR according to project
 * Photobiological safety = 0/1: Risk free



* L80B10 indicates that, after 60.000 hours of functioning, 90% of the luminaires will have a lumen output of at least 80% of the initial value.
 ** L70B10 indicates that, after 60.000 hours of functioning, 90% of the luminaires will have a lumen output of at least 70% of the initial value.